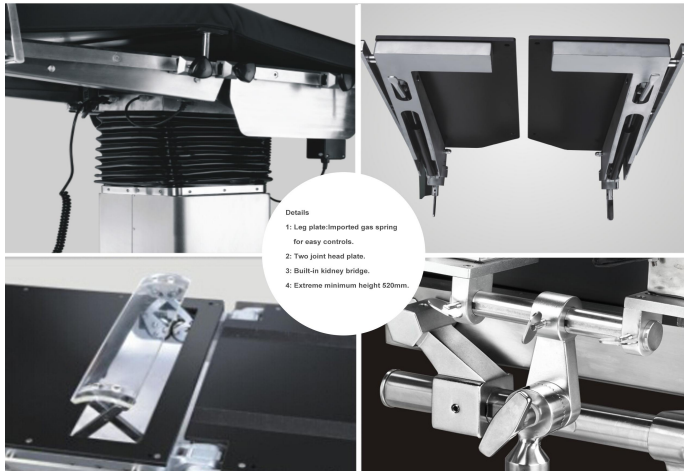




HFMED™
HFEOT2000 | Electric Operating Table

HFED2000 electro-hydraulic operating table is made specially to meet demand of sitting posture operations with a extra low position. It adopts full 304 stainless steel, excellent properties on anti-rust. Tabletop is X-raying available.



- Details
- 1: Leg plate-imported gas spring for easy controls.
 - 2: Two joint head plate.
 - 3: Built-in kidney bridge.
 - 4: Extreme minimum height 520mm.

HFMED ACCESSORIES

- 1 Anaesthetic Screen
- 2 Shoulder Rest
- 2 Arm Support
- 2 Waist Support
- 2 Knee Crutch
- 2 Foot Plate
- 2 Long Slider



Official QR code



YOUR IDEAL OPERATING TABLE SUPPLIER

HFMED™

YOUR IDEAL OPERATING TABLE SUPPLIER
SHANGHAI HUIFENG MEDICAL INSTRUMENT CO., LTD.
 Address: No.7753 Chuannanfeng Road Pudong New District, Shanghai.
 P. R. China
 Tel: +86-021-58084992
 Mob: +86-13918165133
 Email: lisa@huifeng-co.com
 web: <http://en.huifeng-co.com>

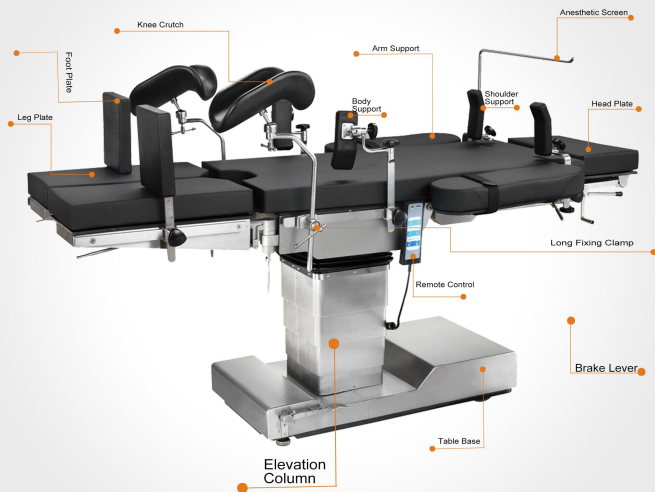
HFMED™ CE

HFMED

YOUR IDEAL OPERATING TABLE SUPPLIER
 MEET THE VARIOUS REQUIREMENTS OF GENERAL SURGERY

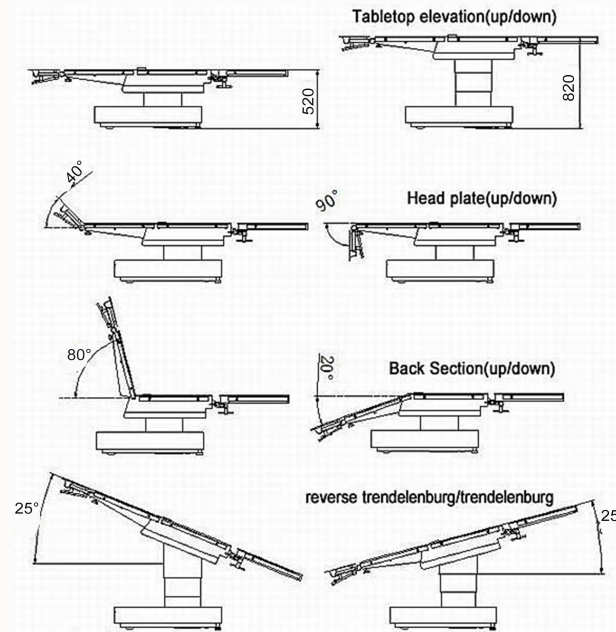
HFED2000

SHANGHAI HUIFENG MEDICAL INSTRUMENT CO.,LTD



HFEOT2000

HFEOT2000
operation position sketch



Main Technical Data

HFEOT2000 Manual Hydraulic Operating table	
Tabletop Length	2085mm
Tabletop Width	550mm
Elevation (down/up)	520/820mm
Trendelenburg	≥25°
Reverse Trendelenburg	≥25°
Lateral Tilt(left/right)	15°/15°
Head Rest(up/down)	40°/90°
Footplate(up, down, outward)	15°/90°/90°
Back plate(up/down)	80°/20°
Kidney bridge elevation	110mm
Power	220V 50Hz 1.0kW

