

SHANGHAI HUIFENG MEDICAL INSTRUMENT CO.,LTD.

Add:Building2, NO.885, Qiuxing Road, Nicheng Town, Pudong New Area, Shanghai, China.

Sales Department

Tel : +8621-58082099, 58084992

Fax : +8621-58085105

E-mail : info@huifeng-co.com

Zip : 201306

www.sh-huifeng.com

HFMED®

MODEL

700 LED

Shadowless Operating lamp

Precise

Uniform, homogeneous lighting in surface and deep cavity procedures thanks to 700 500LED's innovative shadow control.

Simple

Our ergonomic, sterile operating concept allows for the simple and flexible control of all functions by the surgical team.

Durable

Almost unlimited LED life expectancy delivers tremendous product reliability and investment protection.

Efficient

Environmentally proactive: low power consumption and durable LEDs minimize the impact on our precious resources.



MEET THE VARIOUS REQUIREMENTS OF GENERAL SURGERY

SHANGHAI HUIFENG MEDICAL INSTRUMENT CO.,LTD.

Add:Building2, NO.885, Qiuxing Road, Nicheng Town, Pudong New Area, Shanghai, China.

Sales Department

Tel : +8621-58082099, 58084992

Fax : +8621-58085105

E-mail : info@huifeng-co.com

Zip : 201306

www.sh-huifeng.com

HFMED®

700 LED



Main Technical Data

700 LED

Adjust Color Temperature

Illuminance	≥160,000Lux
Colour temperature	3800±500k 4400±500k 5000+500k
Colour reduction index(Ra)	93
Total irradiance	544W/m ²
Size of light field	250~300mm
Service life of illuminant	60,000h
Power supply voltage	AC110-240V 50/60Hz
Best height of installation	2900mm
Total power consumption	80W
Total LED bulb quantity	108pcs(18*6)
Illuminance depth	≥1400mm
ENDO	YES
Emergency Power Supply	2Hours

MEET THE VARIOUS REQUIREMENTS OF GENERAL SURGERY

SHANGHAI HUIFENG MEDICAL INSTRUMENT CO.,LTD.

Add:Building2, NO.885, Qiuxing Road, Nicheng Town, Pudong New Area, Shanghai, China.

Sales Department

Tel : +8621-58082099, 58084992

Fax : +8621-58085105

E-mail : info@huifeng-co.com

Zip : 201306

www.sh-huifeng.com

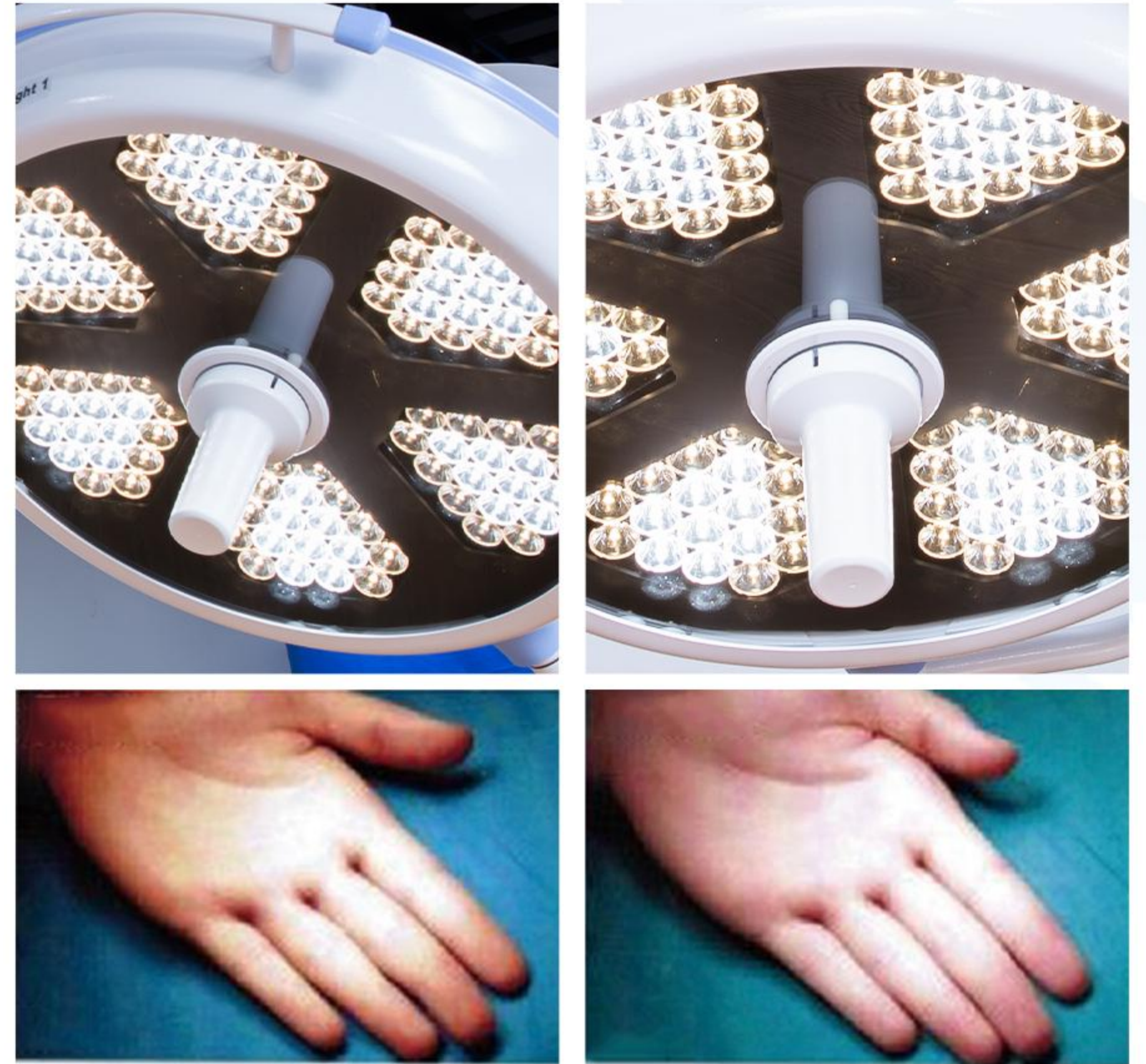
HFMED®

700 LED

Shadowless Operating lamp

Adjustable color temperature

Through reliable beam synthesis control technology, the color temperature can be adjusted between 3800K-5000K under the condition that the color rendering index is 93. Surgeons can adjust the color temperature according to their own habits or different surgical sites to achieve the ideal tissue contrast and achieve the best tissue resolution.



700LED one key low light (Endoscope)

The operation shadowless lamp is equipped with a one-key low light (endoscope) lighting mode, which is convenient for the surgeon to quickly switch from the general mode. It does not interfere with the doctor's field of vision and the observation of tissues during endoscopic surgery.



General mode



700LED Endoscope Mode

MEET THE VARIOUS REQUIREMENTS OF GENERAL SURGERY

SHANGHAI HUIFENG MEDICAL INSTRUMENT CO.,LTD.

Add: Building2, NO.885, Qiuxing Road, Nicheng Town, Pudong New Area, Shanghai, China.

Sales Department

Tel : +8621-58082099, 58084992

Fax : +8621-58085105

E-mail : info@huifeng-co.com

Zip : 201306

www.sh-huifeng.com

HFMED®

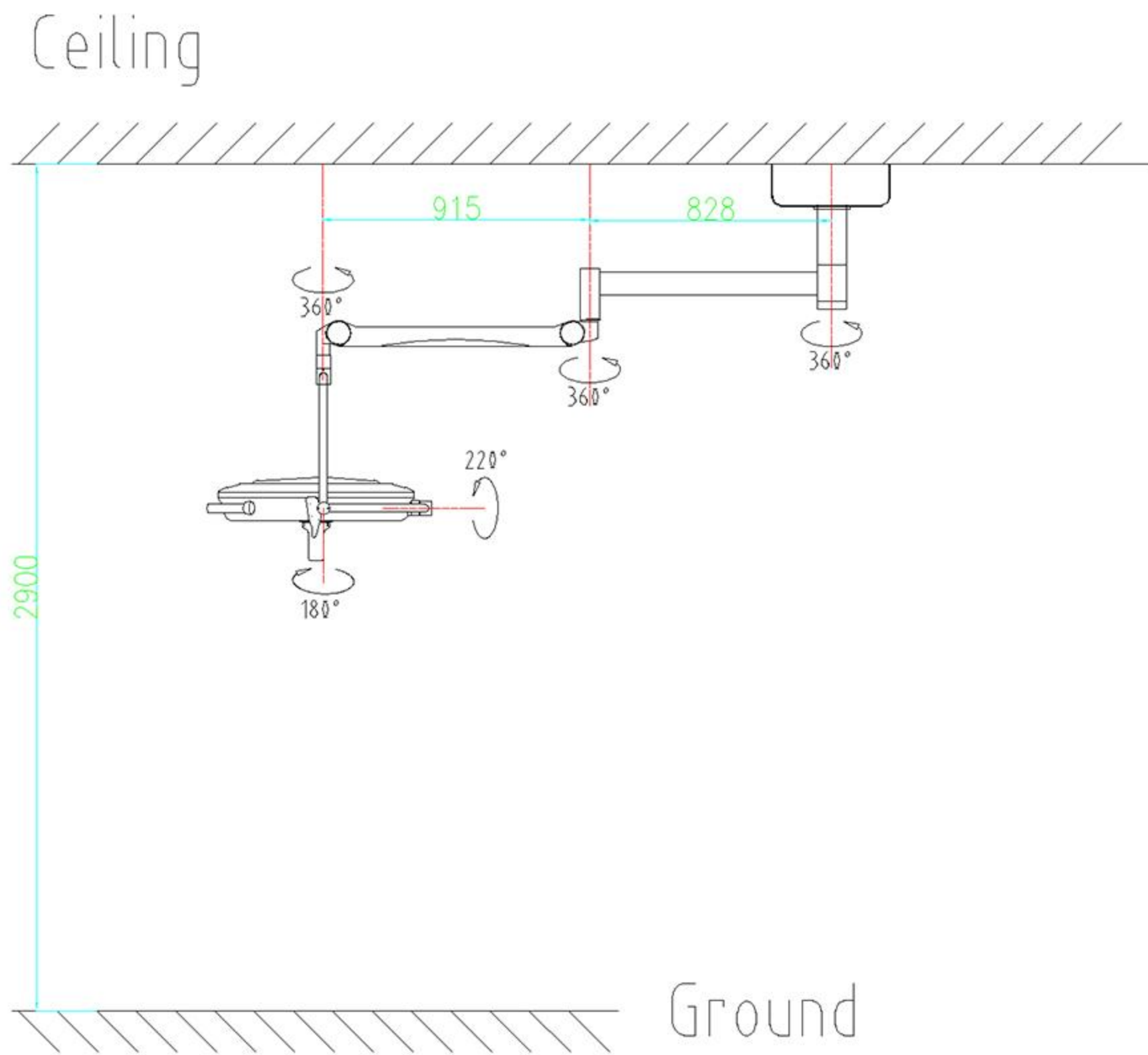
MODEL

700 LED

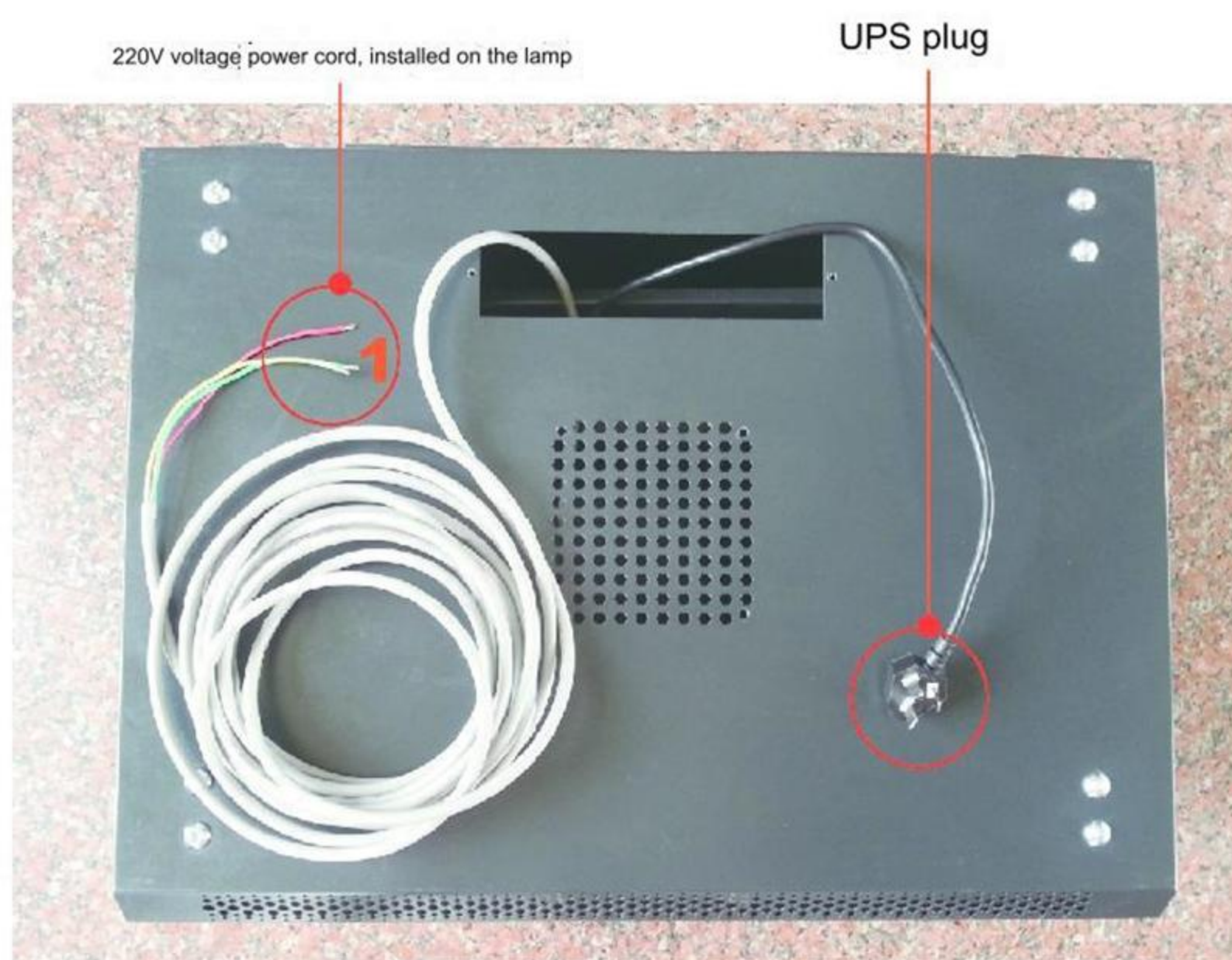
Shadowless Operating lamp



Official QR code



700 LED
Product size diagram



220V voltage power cord, installed on the lamp

UPS plug



220V output socket

220V+UPS output socket

UPS power supply
Analytical diagram



UPS appearance



Switch button

Note: The voltage marked after the switch is turned on is 220V, not 24V.

UPS diagram



MEET THE VARIOUS REQUIREMENTS OF GENERAL SURGERY